

A Fusion of the Art and Science of Light

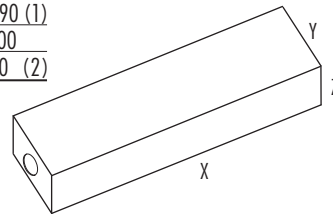
**CATHODE B100 PRODUCT DETAILS:**

output: Standard  
 date: September 14, 2008  
 sheet description: Inline Single Enclosure  
 file: B1details.pdf  
 page: 1

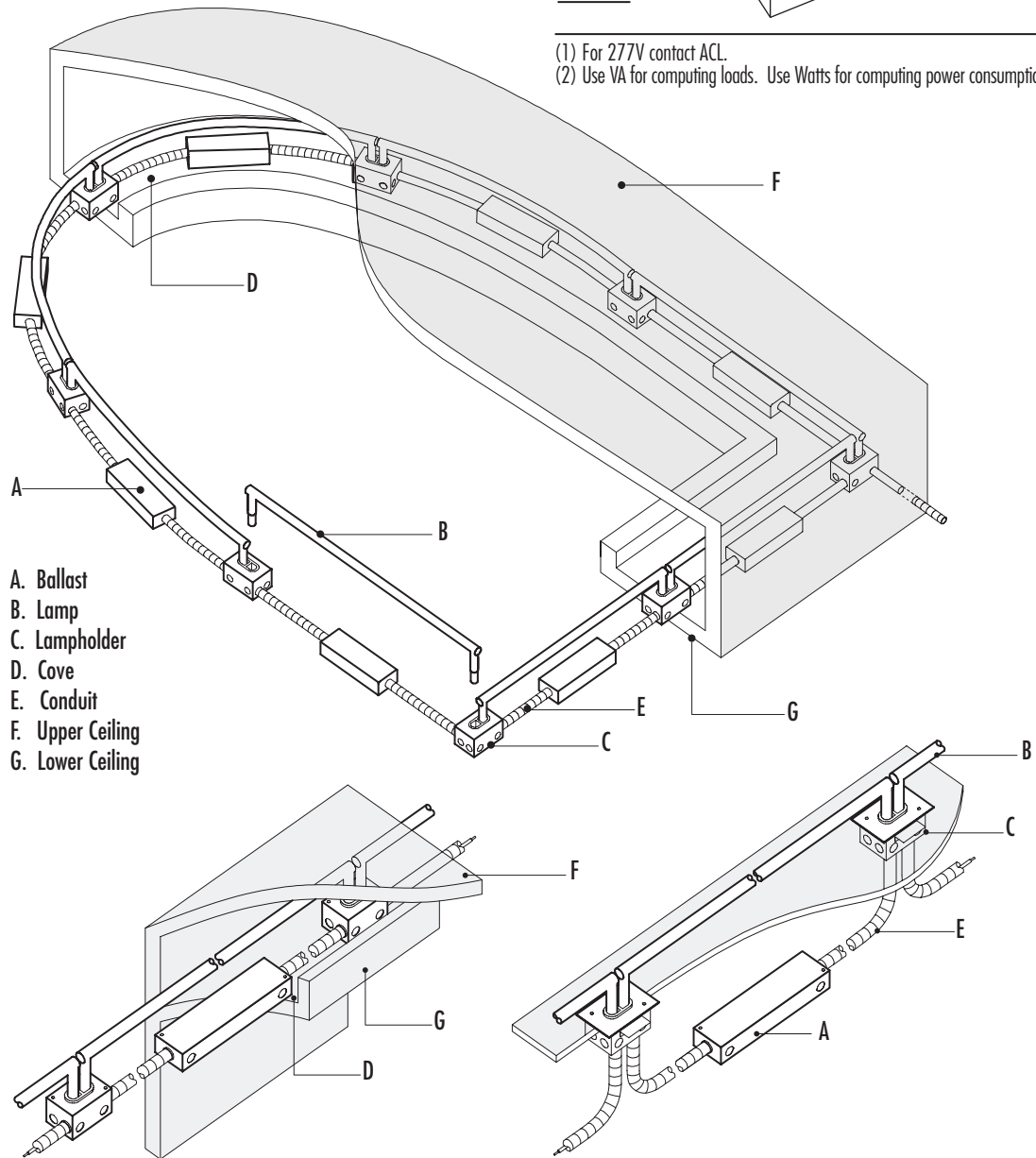
**B100 Ballast Specifications**

Single Lamp Ballast	
PRI V	SEC V
120	990 (1)
PRI A	SEC mA
1.0	100
VA	Watts
120	60 (2)

X	12"
Y	3"
Z	2.5"



(1) For 277V contact ACL.  
 (2) Use VA for computing loads. Use Watts for computing power consumption.



- A. Ballast
- B. Lamp
- C. Lampholder
- D. Cove
- E. Conduit
- F. Upper Ceiling
- G. Lower Ceiling

Inline Single Enclosure

NTS

DETAILS  
 CATHODE B100



Project Name \_\_\_\_\_ Date \_\_\_\_\_ Linear Feet \_\_\_\_\_

**SPECIFICATION CODE:** Note: For a variation (custom) of this product contact ACL to request a variation number and information.

B100(1)	-	S01	-	-	-	-
Product	Standard	Environment	Color (s)	Primary	Dim-able	Mount
Standard Output Single Ballast Cold Cathode	S01	DR - Dry DP - Damp	See Chart (2)	120V 277V-Special Order	DJ - Dim ND - Non Dim	S - Surface R - Recess

(1) For a 7 lamp transformer system refer to our T100 system. For a 2 lamp high output ballast system refer to our B200 system.  
 (2) For multiple selections place a comma after each selection.

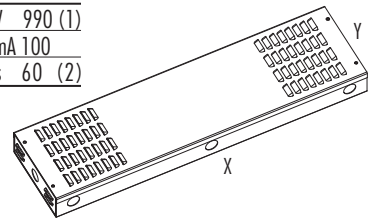
**CATHODE B100 PRODUCT DETAILS:**

output: Standard  
 date: September 14, 2008  
 sheet description: Remote Gang Enclosure  
 file: B1details.pdf  
 page: 2

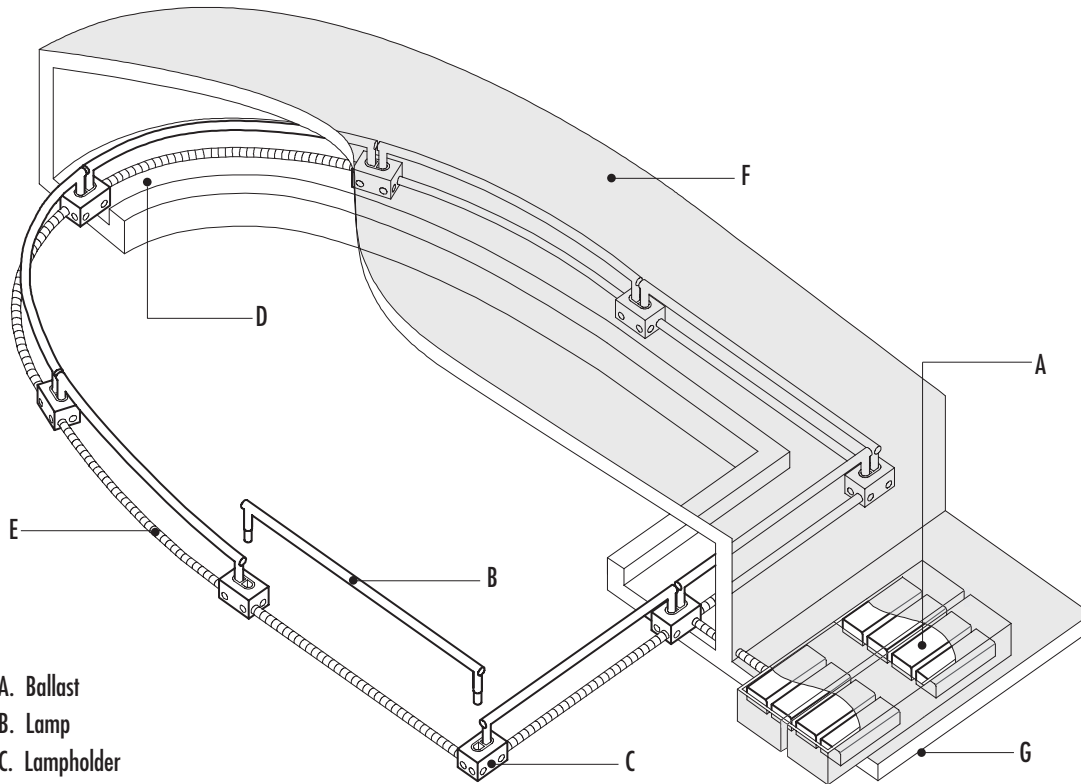
**B100 Ballast Specifications**

Single Lamp Ballast			
PRI V	120	SEC V	990 (1)
PRI A	1.0	SEC mA	100
VA	120	Watts	60 (2)

X	22.5
Y	6.0
Z	2.0



(1) For 277V contact ACL.  
 (2) Use VA for computing loads. Use Watts for computing power consumption.



- A. Ballast
- B. Lamp
- C. Lampholder
- D. Cove
- E. Conduit
- F. Upper Ceiling
- G. Lower Ceiling

**Remote Gang Enclosure**

NTS

Project Name

Date

Linear Feet

**Notes**

**SPECIFICATION CODE:** Note: For a variation (custom) of this product contact ACL to request a variation number and information.

B100 (1)	-	S01	-	-	-	-	-
Product	Standard	Environment	Color (s)	Primary	Dim-able	Mount	
Standard Output Single Ballast Cold Cathode	S01	DR - Dry DP - Damp	See Chart (2)	120V 277V-Special Order	DI - Dim ND - Non Dim	S - Surface R - Recess	

(1) For a 7 lamp transformer system refer to our T100 system. For a 2 lamp high output ballast system refer to our B200 system.  
 (2) For multiple selections place a comma after each selection.

DETAILS  
 CATHODE B100



**ACL INC.**

Architectural Cathode Lighting, Incorporated

[cathodelighting.com](http://cathodelighting.com)

5301 Pacific Boulevard  
 Huntington Park California 90255 USA  
 Telephone 323.581.8800  
 Fax 323.581.7971  
 info@cathodelighting.com

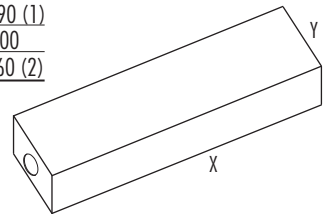
A Fusion of the Art and Science of Light

**CATHODE B100 PRODUCT DETAILS:**

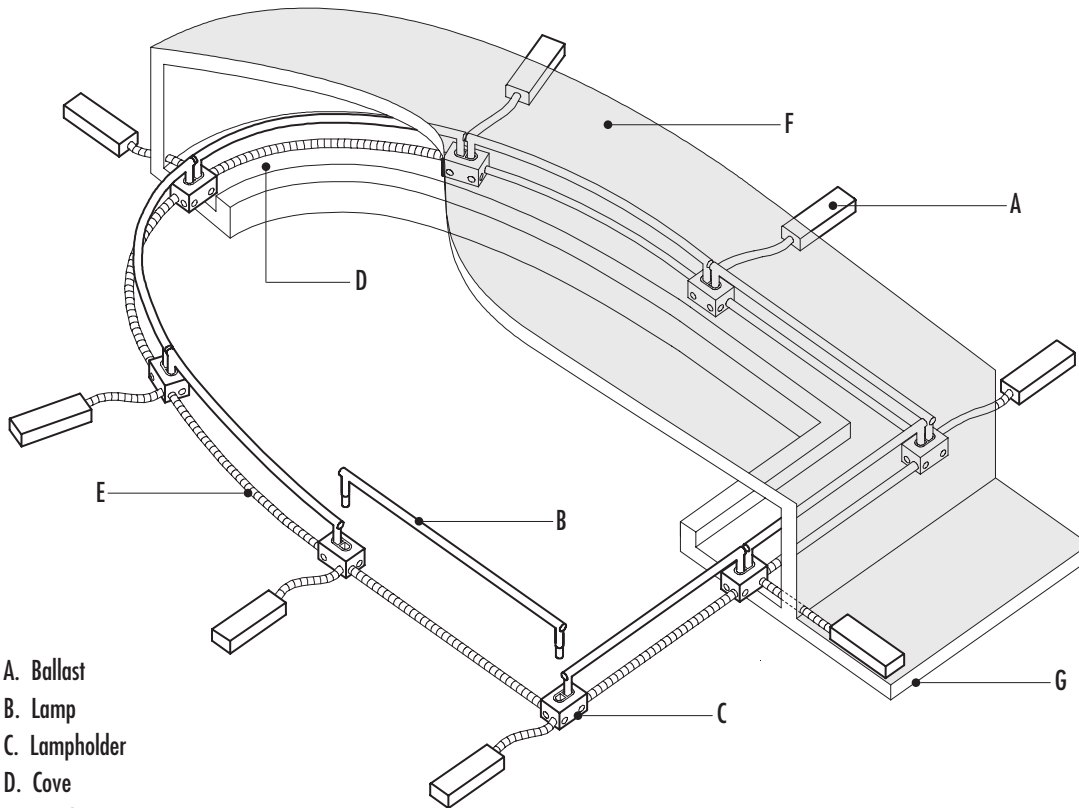
output: Standard  
 date: September 14, 2008  
 sheet description: Separated Remote Single Enclosure  
 file: B1details.pdf  
 page: 3

**B100 Ballast Specifications**

Single Lamp Ballast	
PRI V	SEC V 990 (1)
PRI A	SEC mA 100
VA	Watts 60 (2)
X 12"	
Y 3"	
Z 2.5"	



(1) For 277V contact ACL.  
 (2) Use VA for computing loads. Use Watts for computing power consumption.



- A. Ballast
- B. Lamp
- C. Lampholder
- D. Cove
- E. Conduit
- F. Upper Ceiling
- G. Lower Ceiling

Separated Remote Single Enclosure

NTS

Project Name \_\_\_\_\_ Date \_\_\_\_\_ Linear Feet \_\_\_\_\_

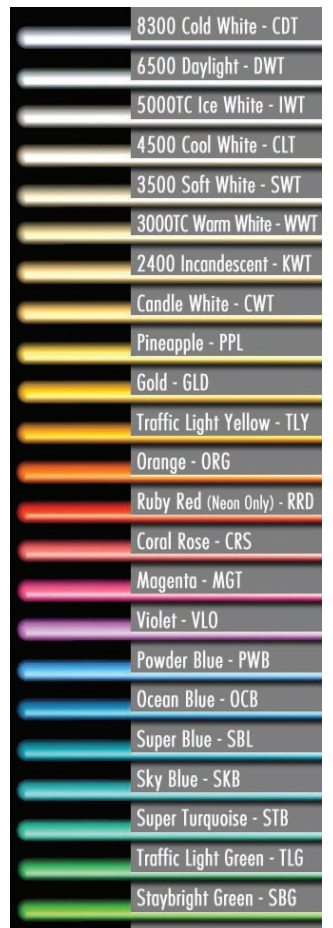
Notes

**SPECIFICATION CODE:** Note: For a variation (custom) of this product contact ACL to request a variation number and information.

B100 (1)	-	S01	-	-	-	-
Product	Standard	Environment	Color (s)	Primary	Dim-able	Mount
Standard Output Single Ballast Cold Cathode	S01	DR - Dry DP - Damp	See Chart (2)	120V 277V -Special Order	DI - Dim ND - Non Dim	S - Surface R - Recess

(1) For a 7 lamp transformer system refer to our T100 system. For a 2 lamp high output ballast system refer to our B200 system.  
 (2) For multiple selections place a comma after each selection.

DETAILS  
 CATHODE B100



**ACL INC.**

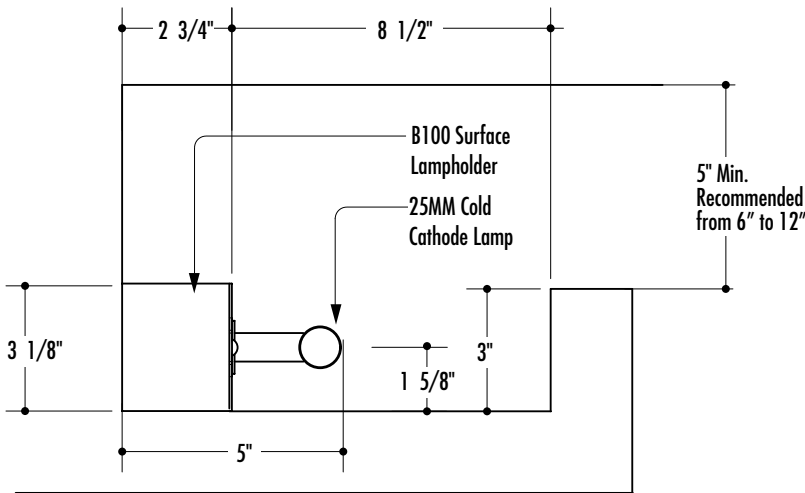
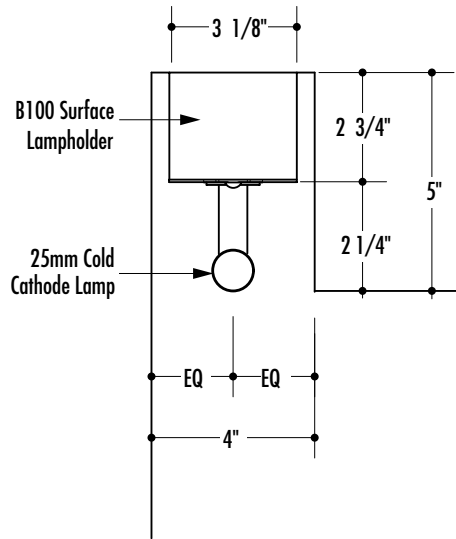
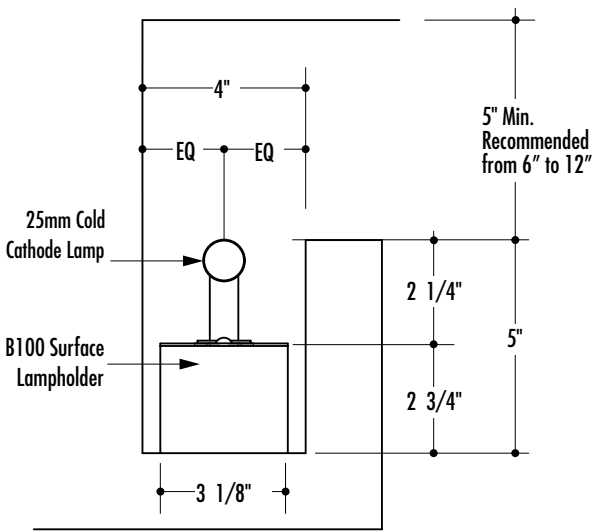
Architectural Cathode Lighting, Incorporated

[cathodelighting.com](http://cathodelighting.com)

5301 Pacific Boulevard  
 Huntington Park California 90255 USA  
 Telephone 323.581.8800  
 Fax 323.581.7971  
 info@cathodelighting.com

**CATHODE B100 PRODUCT DETAILS:**

output: Standard  
 date: April 27, 2009  
 sheet description: Surface Details  
 file: CBdetails.pdf  
 page: 4



© 2009 Architectural Cathode Lighting, Inc.

Project Name \_\_\_\_\_ Date \_\_\_\_\_ Linear Feet \_\_\_\_\_

**Notes**

**SPECIFICATION CODE:** Note: For a variation (custom) of this product contact ACL to request a variation number and information.

B100 (1)	-	S01	-	-	-	-	S
Product	Standard	Environment	Color (s)	Primary	Dim-able	Mount	
Standard Output Single Ballast Cold Cathode	S01	DR - Dry DP - Damp	See Chart (2)	120V 1A 277V -Special Order	DI - Dim ND - Non Dim	S - Surface R - Recess	
(1) For a 7 lamp transformer system refer to our T100 system. For a 2 lamp high output ballast system refer to our B200 system. (2) For multiple selections place a comma after each selection.							

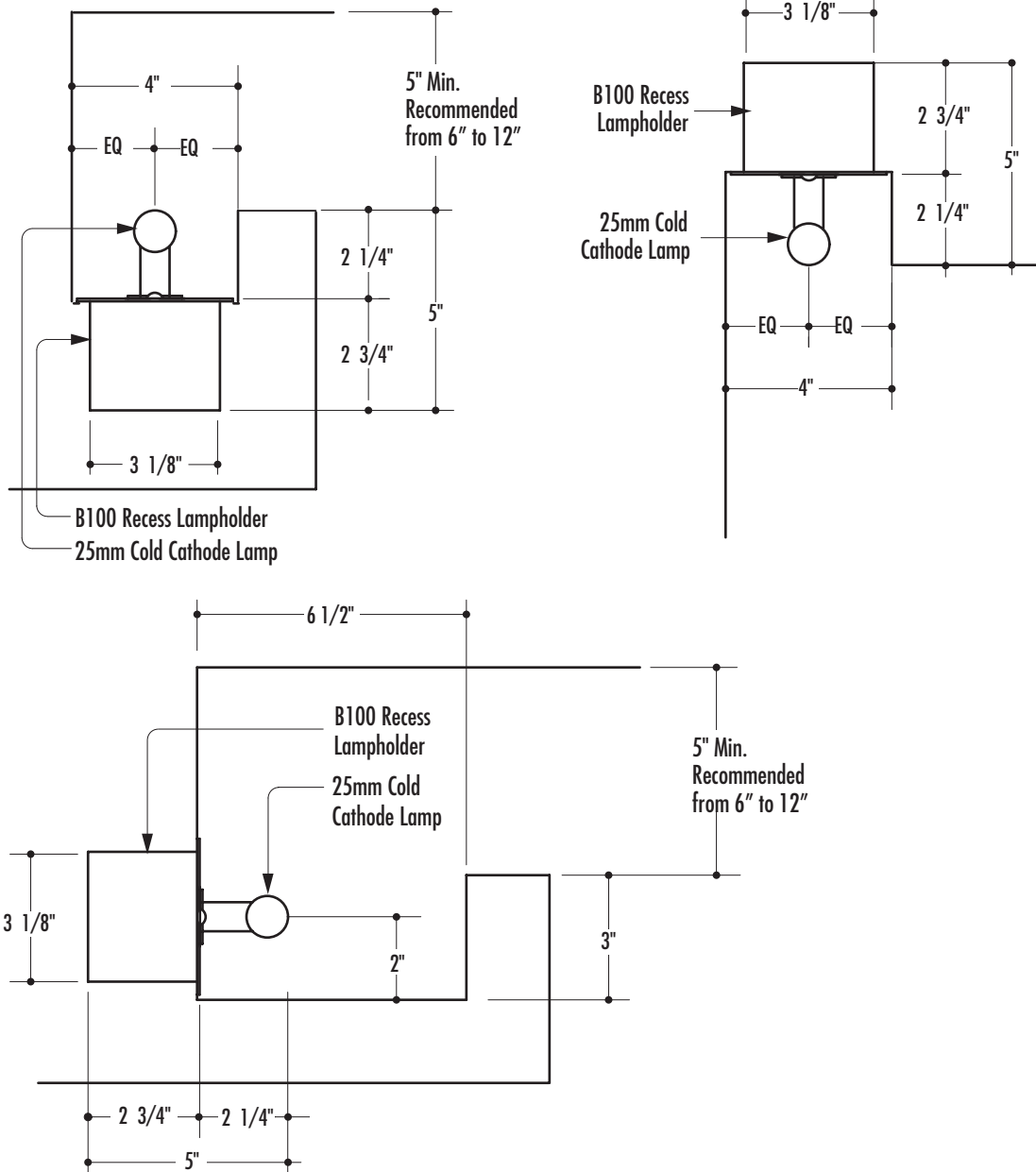
DETAILS  
 CATHODE B100



**ACL INC.**  
 Architectural Cathode Lighting, Incorporated  
[cathodelighting.com](http://cathodelighting.com)  
 5301 Pacific Boulevard  
 Huntington Park California 90255 USA  
 Telephone 323.581.8800  
 Fax 323.581.7971  
 info@cathodelighting.com

**CATHODE B100 PRODUCT DETAILS:**

output: Standard  
 date: April 30, 2009  
 sheet description: Recess Mount Details  
 file: B1details.pdf  
 page: 5



DETAILS  
 CATHODE B100



© 2009 Architectural Cathode Lighting, Inc.

Project Name \_\_\_\_\_ Date \_\_\_\_\_ Linear Feet \_\_\_\_\_

**Notes**

**SPECIFICATION CODE:** Note: For a variation (custom) of this product contact ACL to request a variation number and information.

B100(1)	-	S01	-	-	-	-	R
<b>Product</b>	<b>Standard</b>	<b>Environment</b>	<b>Color (s)</b>	<b>Primary</b>	<b>Dim-able</b>	<b>Mount</b>	
Standard Output Single Ballast Cold Cathode	S01	DR - Dry DP - Damp	See Chart (2)	120V 277V -Special Order	DI - Dim ND - Non Dim	S - Surface R - Recess	

(1) For a 7 lamp transformer system refer to our T100 system. For a 2 lamp high output ballast system refer to our B200 system.  
 (2) For multiple selections place a comma after each selection.

**ACL INC.**  
 Architectural Cathode Lighting, Incorporated  
[cathodelighting.com](http://cathodelighting.com)  
 5301 Pacific Boulevard  
 Huntington Park California 90255 USA  
 Telephone 323.581.8800  
 Fax 323.581.7971  
 info@cathodelighting.com