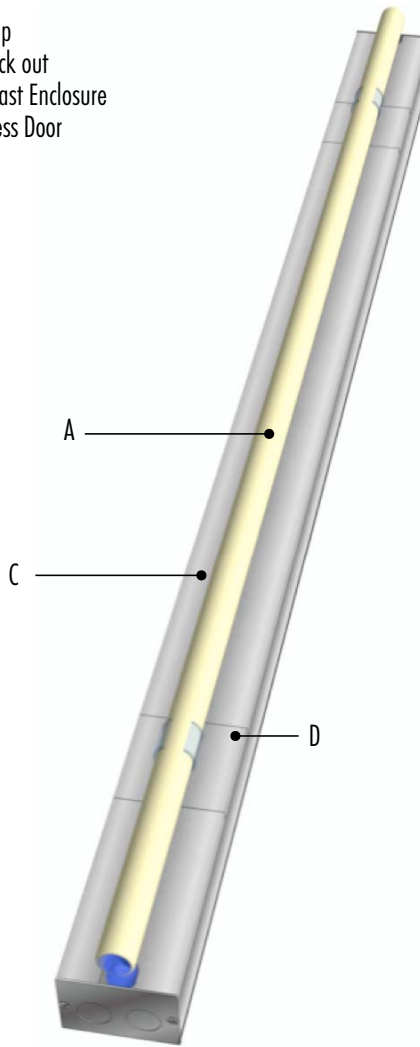


- A. Lamp
- B. Knock out
- C. Ballast Enclosure
- D. Access Door



- Standard and custom straight luminaires to fit any interior space.
- Seamless end-to-end illumination with zero socket shadow.
- Reliable proven technology with up to 50,000 hour lamp life.
- Integrated Class A energy efficient power supplies.
- 11 hues of white and 30+ colors with high CRI.
- Up to 780 lumens per foot and 78 lumens per watt.
- 3" x 3 1/2" profile to fit into tight spaces.
- Pre-wired and assembled for quick installation.
- Easy access to lamps and ballasts.
- Daisy-chain using trade size KOs.
- Single or double lamp configurations available.
- Dimmable

Electrical + Lumen Data

e50 Electrical Specifications

Volts	Amps	Watts *	Lumens *	Lumens/Watts
120	.35	4.5	307	68
277	.14	4.5	307	68

e100 Electrical Specifications

Volts	Amps	Watts *	Lumens *	Lumens/Watts
120	.46	6.6	521	79
277	.20	6.6	521	79

e200 Electrical Specifications

Volts	Amps	Watts *	Lumens *	Lumens/Watts
120	.78	12.6	780	78
277	.35	12.6	780	78

* Per Linear Foot, based on 7'6" lamp at 3500k

DETAILS

CSTRP 2.0



Contact ACL for additional color options.

Project Name		Linear Feet	Date
SPECIFICATION CODE:			
CS2	-	-	DR
Product	Model	Lamp Qty	Environment
cSTRP 2.0 Cold Cathode	e50 (1) e100 (1) e200 (1)	1 - 1 Lamp 2 - 2 Lamp (2)	DR - Dry
			Color(s)
			See Color Chart (3)
			Primary
			120V 277V
			Dimming
			2 - 2 Wire(4) 3 - 3 Wire(4)
			Mount
			S - Surface

(1) e50 - Energy Saver, e100 - Standard Output, e200 - High Output. (2) Lamps per fixture.
 (3) For multiple colors place a comma after each selection. (4) Reverse phase low-voltage electronic dimmers are recommended for optimal performance.
 Specifications subject to change without notice.

ACL INC.
 Architectural Cathode Lighting, Incorporated
cathodelighting.com
 5301 Pacific Boulevard
 Huntington Park California 90255 USA
 Telephone 323.581.8800
 Fax 323.581.7971
info@cathodelighting.com