

# A Fusion of the Art and Science of Light

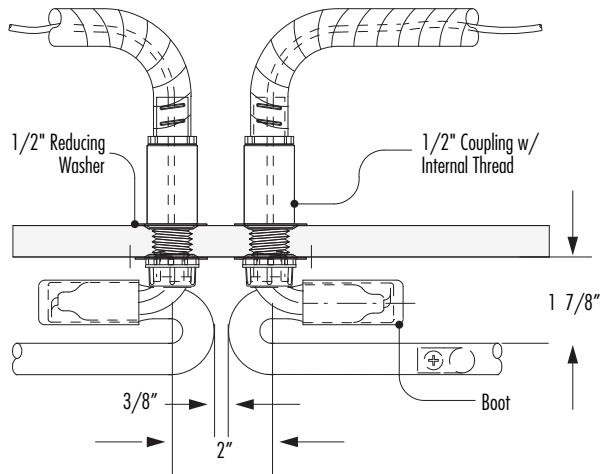
## LINEON • NEON DETAILS:

date: November 2, 2008

sheet description: Lineon Neon Details

file: LNdetails.pdf

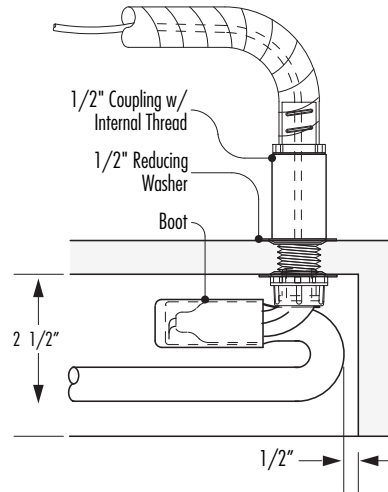
page: 1 of 1



Double Feed Detail

Plan

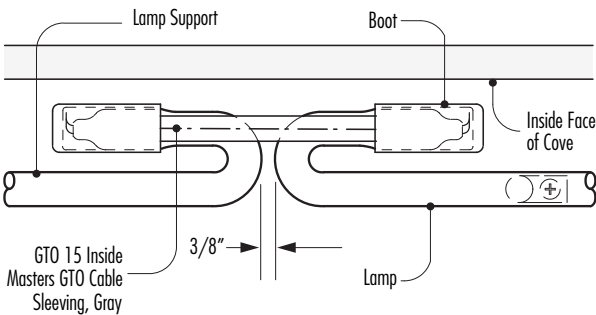
NTS



Double Feed Detail

Elevation

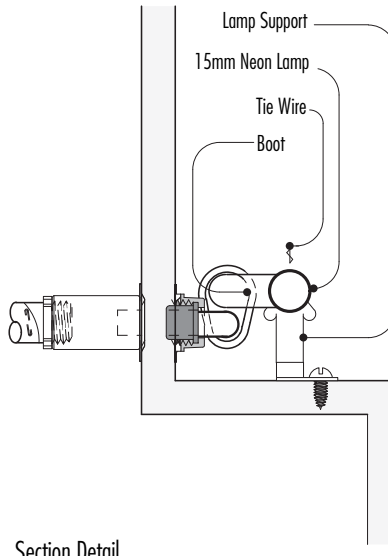
NTS



Intermediate Detail

Plan

NTS



Section Detail

NTS

Project Name

Date

Linear Feet

**SPECIFICATION CODE:** Note: For a variation (custom) of this product contact ACL to request a variation number and information.

LN	-	-	-	NA	-	-	-
Product	Standard	Environment	Color	Finish	Primary	Secondary	Dim-able
LN - Lineon (NEON)	S01	DR - Dry DP - Damp WT - Wet	See Chart (1)	NA	120V NPF 120V HPF 277V NPF 277V HPF (2)	30 MA 60 MA	DI - Dim ND - Non Dim (3)

(1) For multiple selections place a comma after each selection

(2) NPF - Normal Power Factor, HPF - High Power Factor, 277V may be a special order.

(3) Normal power factor when dimming, high power factor maybe available when non-dimming. Contact ACL.

NOTE: Watts per foot will vary. Contact ACL to compute actual load for each project.

# DETAILS LINEON • NEON

8300 Cold White - CDT
6500 Daylight - DWT
5000TC Ice White - IWT
4500 Cool White - CLT
3500 Soft White - SWT
3000TC Warm White - WWT
2400 Incandescent - KWT
Candle White - CWT
Pineapple - PPL
Gold - GLD
Traffic Light Yellow - TLY
Orange - ORG
Ruby Red (Neon Only) - RRD
Coral Rose - CRS
Magenta - MGT
Violet - VLO
Powder Blue - PWB
Ocean Blue - OCB
Super Blue - SBL
Sky Blue - SKB
Super Turquoise - STB
Traffic Light Green - TLG
Staybright Green - SBG

**ACL INC.**

Architectural Cathode Lighting, Incorporated

[cathodelighting.com](http://cathodelighting.com)

5301 Pacific Boulevard  
Huntington Park California 90255 USA  
Telephone 323.581.8800  
Fax 323.581.7971  
info@cathodelighting.com