

# A Fusion of the Art and Science of Light

## CATHODE T100 PRODUCT DETAILS:

date: August 21, 2008

sheet description: Single Row Closed Loop

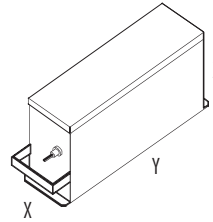
file: T100details.pdf

page: 1

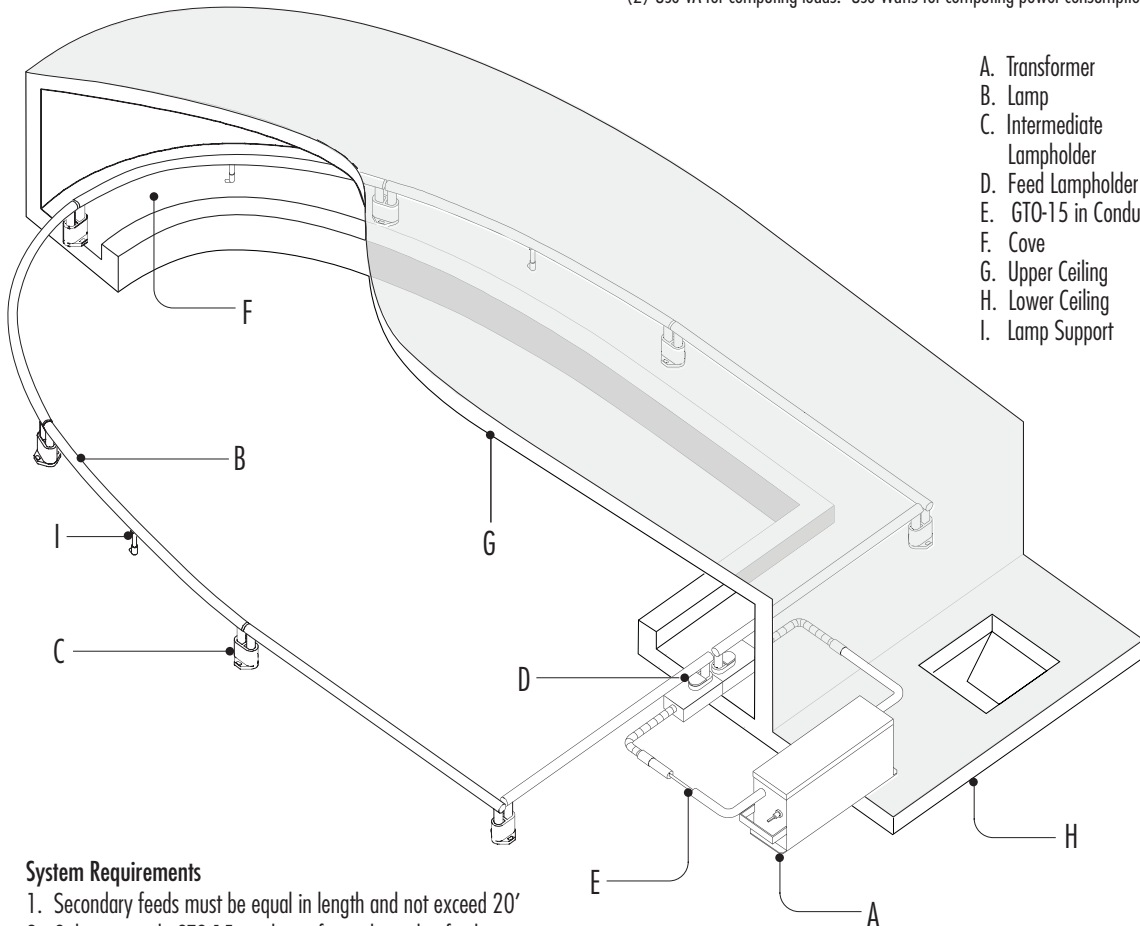
### T100 Specifications

Seven Lamp Transformer NPF 120mA		
VA	AMPS	Sec.V
1080	9.4	9000
900	7.8	7500
600	5.2	5000

X	4.625"
Y	17.625"
Z	8.0"



- (1) For 277V and HPF contact ACL.
- (2) Use VA for computing loads. Use Watts for computing power consumption.



- A. Transformer
- B. Lamp
- C. Intermediate Lampholder
- D. Feed Lampholder
- E. GTO-15 in Conduit
- F. Cove
- G. Upper Ceiling
- H. Lower Ceiling
- I. Lamp Support

### System Requirements

1. Secondary feeds must be equal in length and not exceed 20'
2. Only one single GTO-15 conductor for each conduit feed
3. Maximum length of lamp is 94"
4. Lamp lengths shall be standardized when ever possible
5. Transformer installed in accessible and vented area(s)
6. Sound rating approximately 33 decibels
7. Include detail(s) when possible

Note: Additional rows of lamps can be specified either in whites or separate colors.

### Single Row Closed Loop

NTS

# DETAILS CATHODE T100



Project Name

Date

Linear Feet

**SPECIFICATION CODE:** Note: For a variation (custom) of this product contact ACL to request a variation number and information.

T100 (1)	S01					S
Product	Standard	Environment	Color (s)	Primary	Dim-able	Mount
Standard Output 7 Lamp Transformer Cold Cathode System	S01	DR - Dry DP - Damp	See Chart (2)	120V 277V -Special Order	DI - Dim ND - Non Dim	S - Surface
(1) For our lower output system; T50, contact ACL. For a 1 lamp standard ballast system see B100. For a 2 lamp high output ballast system see B200. (2) For multiple selections place a comma after each selection.						

**ACL INC.**

Architectural Cathode Lighting, Incorporated

[cathodelighting.com](http://cathodelighting.com)

5301 Pacific Boulevard  
Huntington Park California 90255 USA  
Telephone 323.581.8800  
Fax 323.581.7971  
info@cathodelighting.com

# A Fusion of the Art and Science of Light

## CATHODE T100 PRODUCT DETAILS:

date: August 21, 2008

sheet description: Single Row End Feeds

file: T100details.pdf

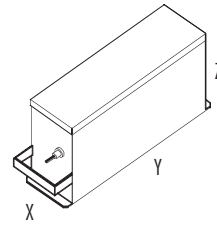
page: 2

### T100 Specifications

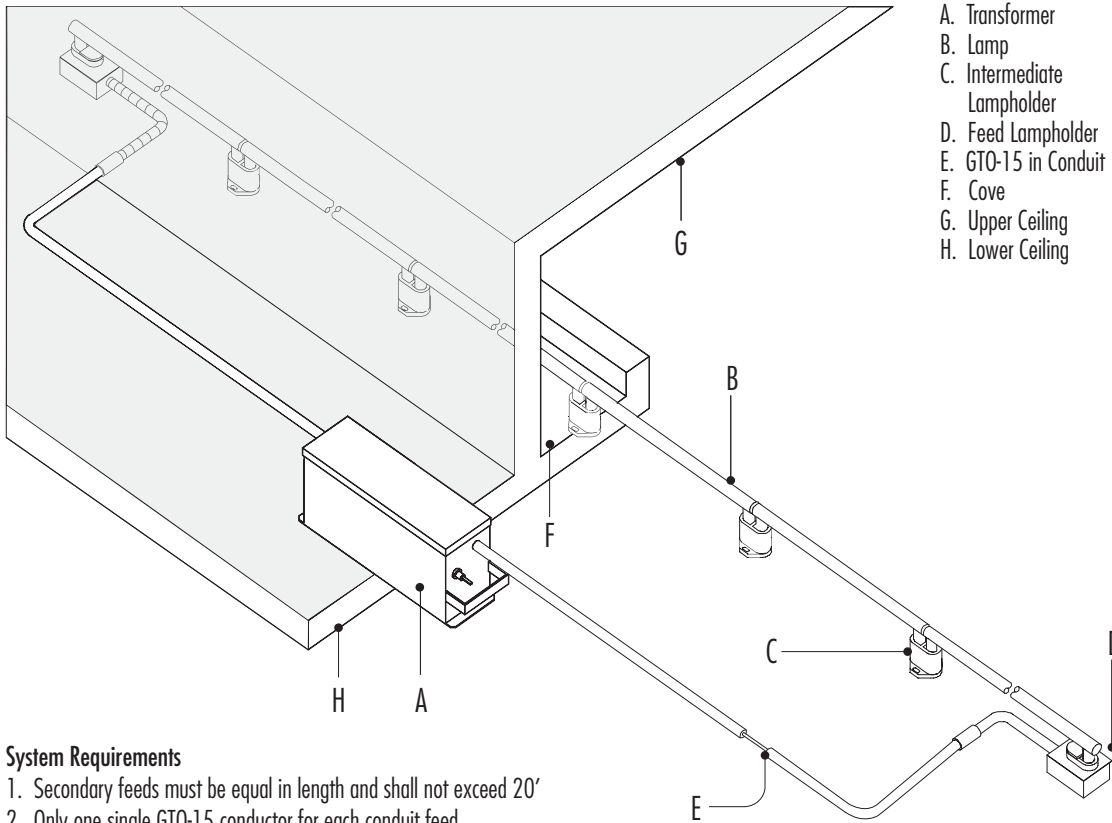
Seven Lamp Transformer NPF 120mA

VA	AMPS	Sec.V
1080	9.4	9000
900	7.8	7500
600	5.2	5000

X	4.625"
Y	17.625"
Z	8.0"



- (1) For 277V and HPF contact ACL.
- (2) Use VA for computing loads. Use Watts for computing power consumption.



- A. Transformer
- B. Lamp
- C. Intermediate Lampholder
- D. Feed Lampholder
- E. GTO-15 in Conduit
- F. Cove
- G. Upper Ceiling
- H. Lower Ceiling

### System Requirements

1. Secondary feeds must be equal in length and shall not exceed 20'
2. Only one single GTO-15 conductor for each conduit feed
3. Maximum length of lamp is 94"
4. Lamp lengths shall be standardized when ever possible
5. Transformer installed in accessible and vented area(s)
6. Sound rating approximately 33 decibels
7. Include details(s) when possible

Note: Additional rows of lamps can be specified either in whites or separate colors.

### Single Row End Feeds

NTS

# DETAILS CATHODE T100



Project Name

Date

Linear Feet

**SPECIFICATION CODE:** Note: For a variation (custom) of this product contact ACL to request a variation number and information.

T100 (1)	S01					S
Product	Standard	Environment	Color (s)	Primary	Dim-able	Mount
Standard Output 7 Lamp Transformer Cold Cathode System	S01	DR - Dry DP - Damp	See Chart (2)	120V 277V -Special Order	DI - Dim ND - Non Dim	S - Surface
(1) For our lower output system; T50, contact ACL. For a 1 lamp standard ballast system see B100. For a 2 lamp high output ballast system see B200. (2) For multiple selections place a comma after each selection.						

**ACL INC.**

Architectural Cathode Lighting, Incorporated

[cathodelighting.com](http://cathodelighting.com)

5301 Pacific Boulevard

Huntington Park California 90255 USA

Telephone 323.581.8800

Fax 323.581.7971

info@cathodelighting.com

**CATHODE T100 PRODUCT DETAILS:**

date: August 21, 2008

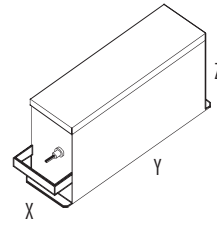
sheet description: Single Row Balanced Load

file: T100details.pdf

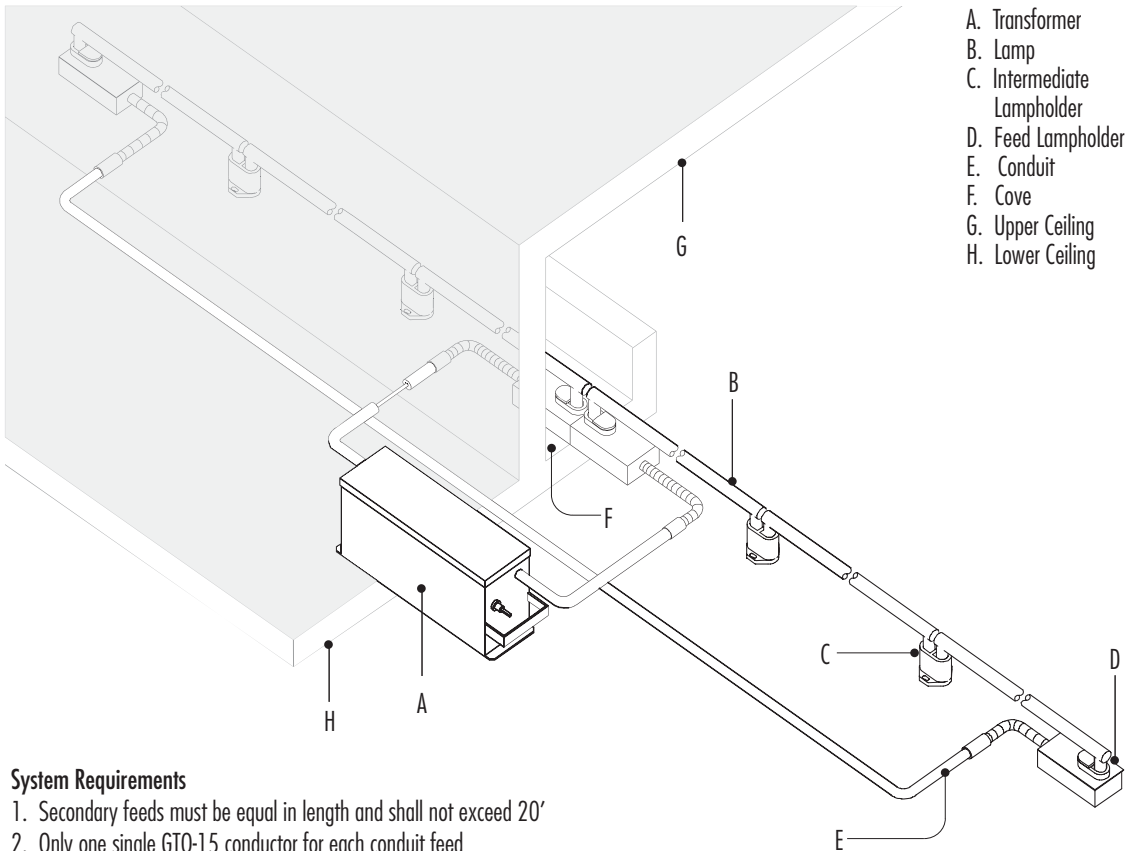
page: 3

**T100 Specifications**

Seven Lamp Transformer NPF 120mA		
VA	AMPS	Sec.V
1080	9.4	9000
900	7.8	7500
600	5.2	5000
X	4.625"	
Y	17.625"	
Z	8.0"	



- (1) For 277V and HPF contact ACL.
- (2) Use VA for computing power. Use Watts for computing power consumption.



- A. Transformer
- B. Lamp
- C. Intermediate Lampholder
- D. Feed Lampholder
- E. Conduit
- F. Cove
- G. Upper Ceiling
- H. Lower Ceiling

**System Requirements**

1. Secondary feeds must be equal in length and shall not exceed 20'
2. Only one single GTO-15 conductor for each conduit feed
3. Maximum length of lamp is 94"
4. Lamp lengths shall be standardized when ever possible
5. Transformer installed in accessible and vented area(s)
6. Sound rating approximately 33 decibels
7. Include details(s) when possible

Note: Additional rows of lamps can be specified either in whites or separate colors.

**Single Row**

**Balanced Load with Long Virtual Ground**

NTS

Project Name \_\_\_\_\_ Date \_\_\_\_\_ Linear Feet \_\_\_\_\_

**SPECIFICATION CODE:** Note: For a variation (custom) of this product contact ACL to request a variation number and information.

T100 (1)	-	S01	-	-	-	-	S
Product	Standard	Environment	Color (s)	Primary	Dim-able	Mount	
Standard Output 7 Lamp Transformer Cold Cathode System	S01	DR - Dry DP - Damp	See Chart (2)	120V 277V-Special Order	DI - Dim ND - Non Dim	S - Surface	
(1) For our lower output system; T50, contact ACL. For a 1 lamp standard ballast system see B100. For a 2 lamp high output ballast system see B200. (2) For multiple selections place a comma after each selection.							

DETAILS CATHODE T100



**ACL INC.**  
Architectural Cathode Lighting, Incorporated

[cathodelighting.com](http://cathodelighting.com)

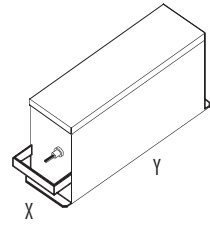
5301 Pacific Boulevard  
Huntington Park California 90255 USA  
Telephone 323.581.8800  
Fax 323.581.7971  
info@cathodelighting.com

**CATHODE T100 PRODUCT DETAILS:**

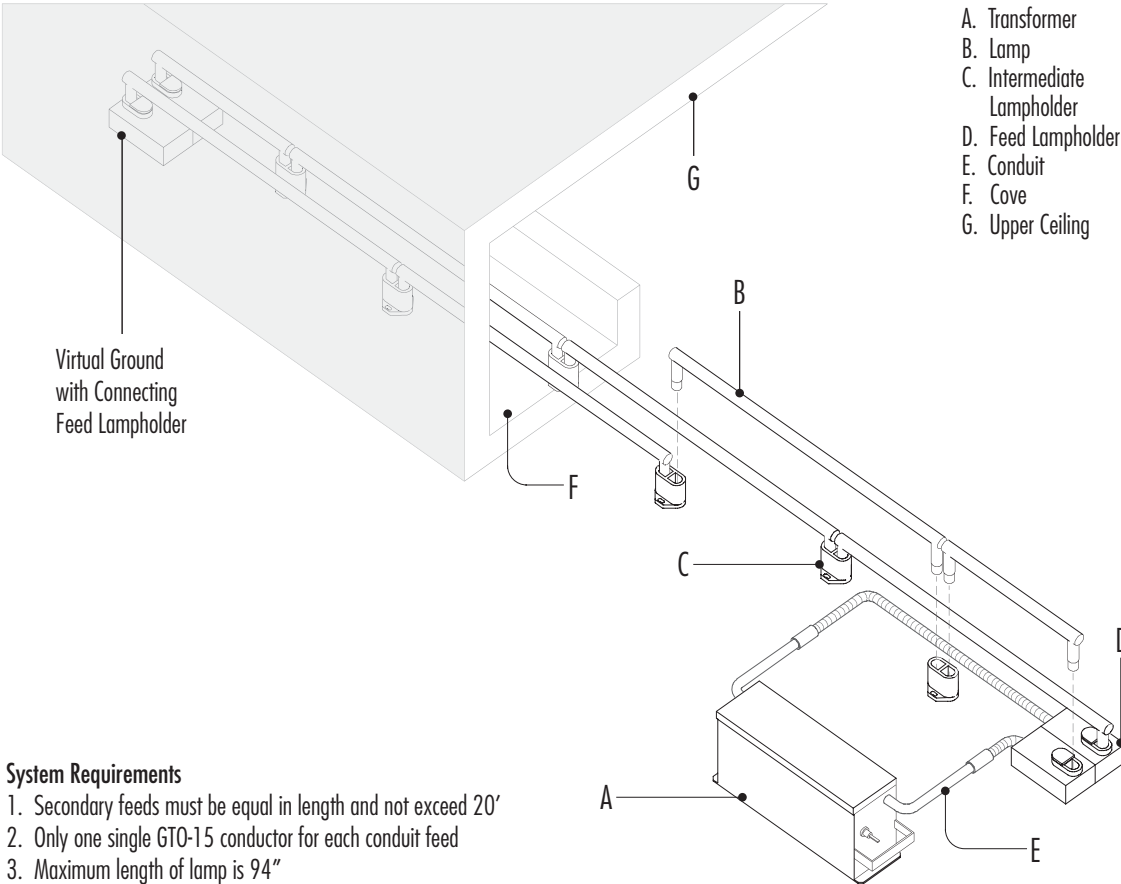
date: August 21, 2008  
 sheet description: Double Row Balanced Load  
 file: T100details.pdf  
 page: 4

**T100 Specifications**

Seven Lamp Transformer NPF 120mA		
VA	AMPS	Sec.V
1080	9.4	9000
900	7.8	7500
600	5.2	5000
X	4.625"	
Y	17.625"	
Z	8.0"	



(1) For 277V and HPF contact ACL.  
 (2) Use VA for computing loads. Use Watts for computing power consumption.



- A. Transformer
- B. Lamp
- C. Intermediate Lampholder
- D. Feed Lampholder
- E. Conduit
- F. Cove
- G. Upper Ceiling

**System Requirements**

1. Secondary feeds must be equal in length and not exceed 20'
2. Only one single GTO-15 conductor for each conduit feed
3. Maximum length of lamp is 94"
4. Lamp lengths shall be standardized when ever possible
5. Transformer installed in accessible and vented area(s)
6. Sound rating approximately 33 decibels
7. Include detail(s) when possible

Note: Additional rows of lamps can be specified either in whites or separate colors.

**Double Row**

**Balanced Load with Short Virtual Ground**

NTS

DETAILS  
CATHODE T100



**Project Name** \_\_\_\_\_ **Date** \_\_\_\_\_ **Linear Feet** \_\_\_\_\_  
**SPECIFICATION CODE:** Note: For a variation (custom) of this product contact ACL to request a variation number and information.

T100 (1)	-	S01	-	-	-	-	S
<b>Product</b>	<b>Standard</b>	<b>Environment</b>	<b>Color (s)</b>	<b>Primary</b>	<b>Dim-able</b>	<b>Mount</b>	
Standard Output 7 Lamp Transformer Cold Cathode System	S01	DR - Dry DP - Damp	See Chart (2)	120V 277V -Special Order	DI - Dim ND - Non Dim	S - Surface	

(1) For our lower output system; T50, contact ACL. For a 1 lamp standard ballast system see B100. For a 2 lamp high output ballast system see B200.  
 (2) For multiple selections place a comma after each selection.

# A Fusion of the Art and Science of Light

## CATHODE T100 PRODUCT DETAILS:

date: August 21, 2008

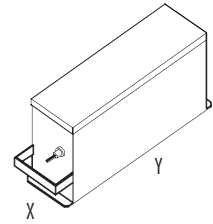
sheet description: Single Row Opposite Coves

file: T100details.pdf

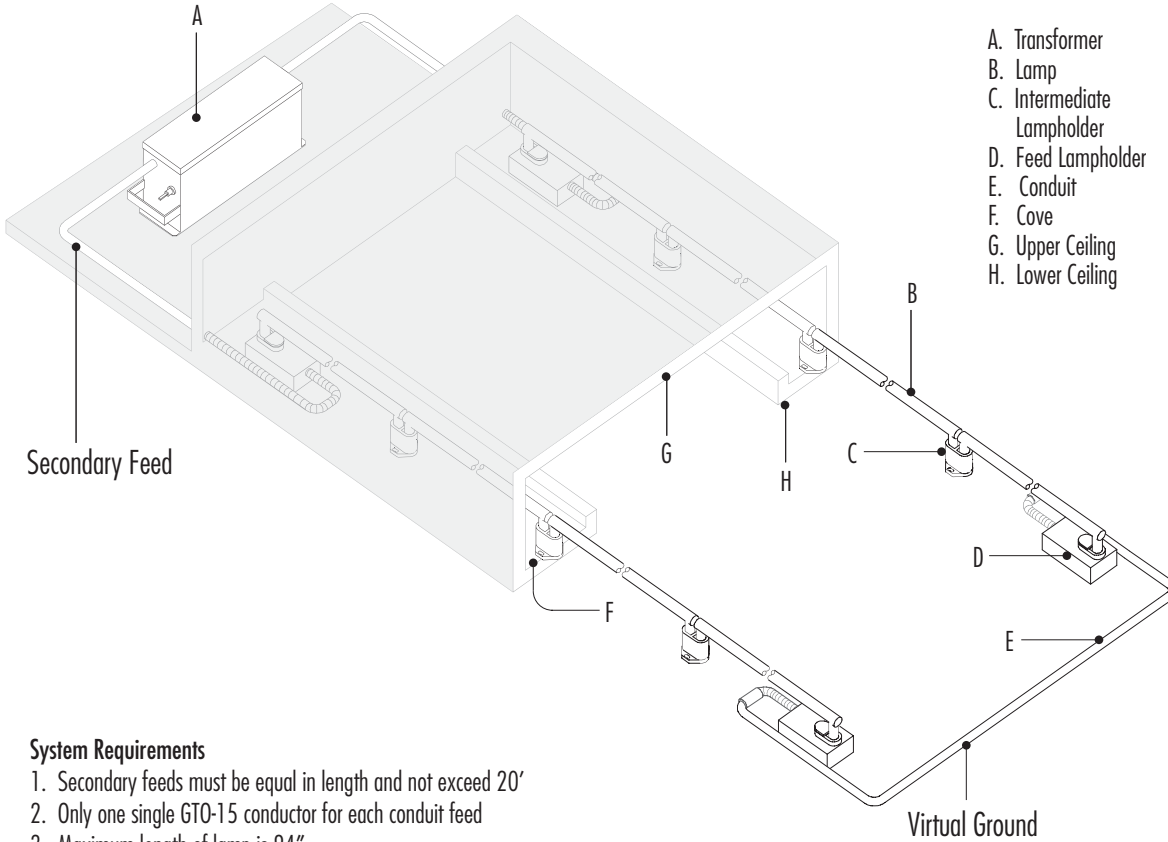
page: 5

### T100 Specifications

Seven Lamp Transformer NPF 120mA		
VA	AMPS	Sec.V
1080	9.4	9000
900	7.8	7500
600	5.2	5000
X	4.625"	
Y	17.625"	
Z	8.0"	



(1) For 277V and HPF contact ACL.  
 (2) Use VA for computing loads. Use Watts for computing power consumption.



- A. Transformer
- B. Lamp
- C. Intermediate Lampholder
- D. Feed Lampholder
- E. Conduit
- F. Cove
- G. Upper Ceiling
- H. Lower Ceiling

### System Requirements

1. Secondary feeds must be equal in length and not exceed 20'
2. Only one single GTO-15 conductor for each conduit feed
3. Maximum length of lamp is 94"
4. Lamp lengths shall be standardized when ever possible
5. Transformer installed in accessible and vented area(s)
6. Sound rating approximately 33 decibels
7. Include detail(s) when possible

Note: Additional rows of lamps can be specified either in whites or separate colors.

### Single Row in Opposite Coves

### Balanced Load with Virtual Ground

NTS

# DETAILS CATHODE T100



© 2008 Architectural Cathode Lighting, Inc.

Project Name

Date

Linear Feet

**SPECIFICATION CODE:** Note: For a variation (custom) of this product contact ACL to request a variation number and information.

T100 (1)	-	S01	-	-	-	-	S
Product	Standard	Environment	Color (s)	Primary	Dim-able	Mount	
Standard Output 7 Lamp Transformer Cold Cathode System	S01	DR - Dry DP - Damp	See Chart (2)	120V 277V -Special Order	DI - Dim ND - Non Dim	S - Surface	
(1) For our lower output system; T50, contact ACL. For a 1 lamp standard ballast system see B100. For a 2 lamp high output ballast system see B200. (2) For multiple selections place a comma after each selection.							

**ACL INC.**

Architectural Cathode Lighting, Incorporated

[cathodelighting.com](http://cathodelighting.com)

5301 Pacific Boulevard  
 Huntington Park California 90255 USA  
 Telephone 323.581.8800  
 Fax 323.581.7971  
 info@cathodelighting.com

**CATHODE T100 PRODUCT DETAILS:**

date modified: August 21, 2008

sheet description: Surface Details

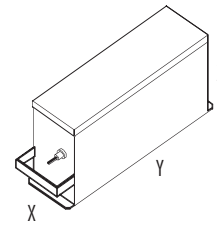
note: Recommended Minimum Dimensions

file: T100details.pdf

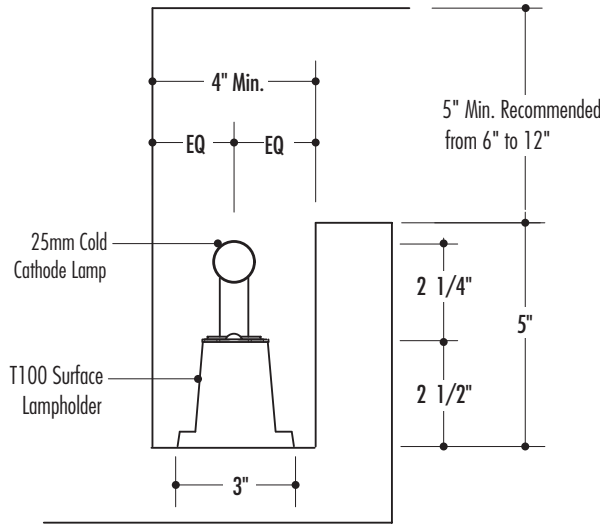
page: 6

**T100 Specifications**

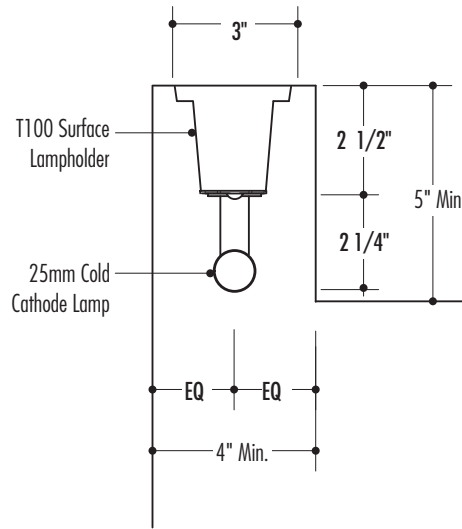
Seven Lamp Transformer NPF 120mA		
VA	AMPS	Sec.V
1080	9.4	9000
900	7.8	7500
600	5.2	5000
<hr/>		
X	4.625"	
Y	17.625"	
Z	8.0"	



(1) For 277V and HPF contact ACL.  
 (2) Use VA for computing loads. Use Watts for computing power consumption.

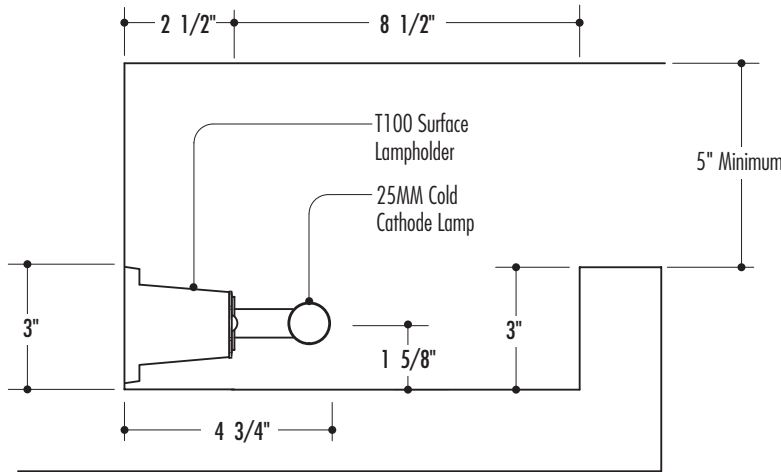


**A Cove Section**  
Base Mounted Lampholder



**B Pocket Section**  
Ceiling Mounted Lampholder

DETAILS  
CATHODE T100



**C Cove Section**  
Wall Mounted Lampholder

© 2008 Architectural Cathode Lighting, Inc.

Project Name \_\_\_\_\_ Date \_\_\_\_\_ Linear Feet \_\_\_\_\_

**SPECIFICATION CODE:** Note: For a variation (custom) of this product contact ACL to request a variation number and information.

T100 (1)	S01					S
<b>Product</b>	<b>Standard</b>	<b>Environment</b>	<b>Color (s)</b>	<b>Primary</b>	<b>Dim-able</b>	<b>Mount</b>
Standard Output 7 Lamp Transformer Cold Cathode System	S01	DR - Dry DP - Damp	See Chart (2)	120V 277V -Special Order	DI - Dim ND - Non Dim	S - Surface
(1) For our lower output system; T50, contact ACL. For a 1 lamp standard ballast system see B100. For a 2 lamp high output ballast system see B200. (2) For multiple selections place a comma after each selection.						



Architectural Cathode Lighting, Incorporated

[cathodelighting.com](http://cathodelighting.com)

5301 Pacific Boulevard  
 Huntington Park California 90255 USA  
 Telephone 323.581.8800  
 Fax 323.581.7971  
 info@cathodelighting.com