

A Fusion of the Art and Science of Light

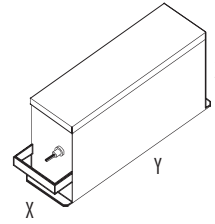
CATHODE T50 PRODUCT DETAILS:

T50 is a low material cost, energy efficient cold cathode lighting system. When comparing the data it out performs LED.

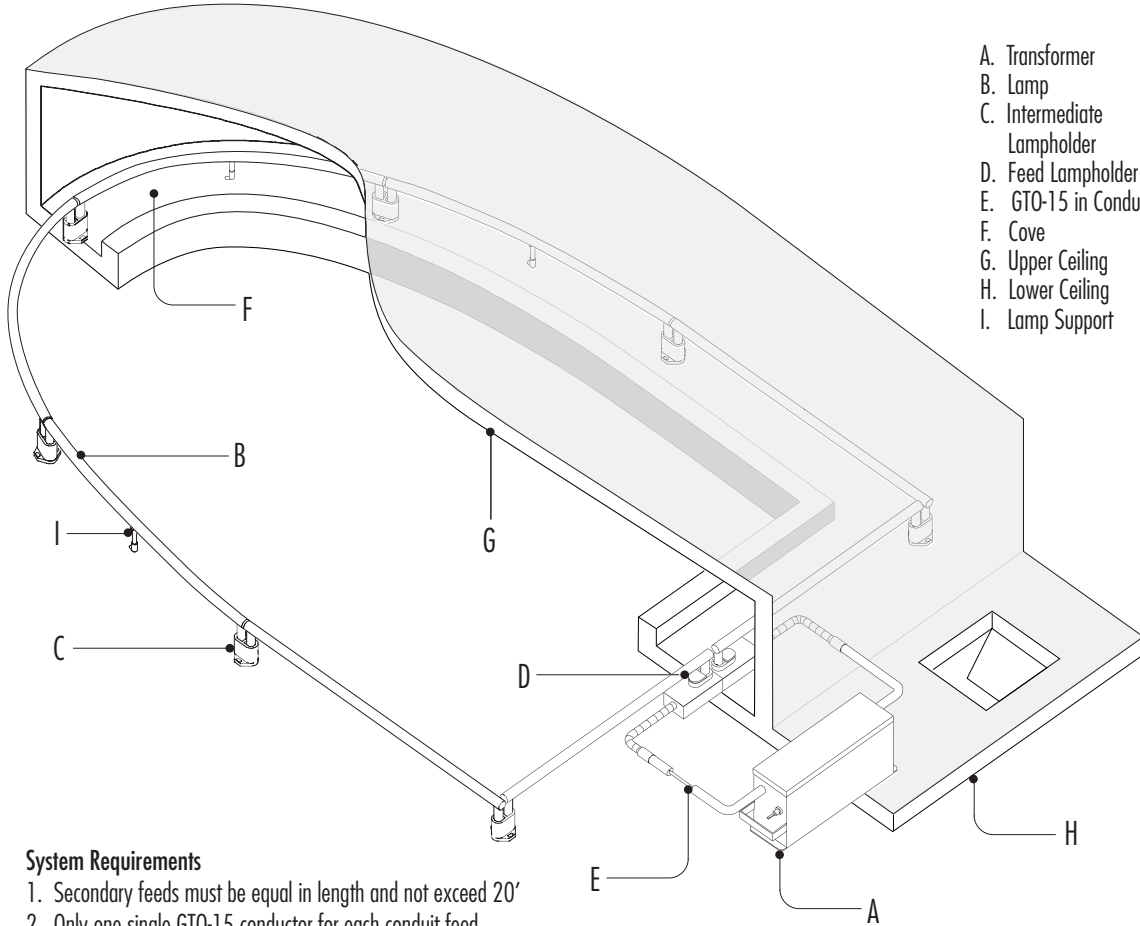
- 228 Lumens per foot (compared to 82 LED)
- 54.65 Lumens per watt (compared to 21.57 LED)
- Approx. 4 - 5 watts per foot
- Over 30 bright colors (compared to 8 LED)
- Full Range Dimming
- 50,000 Hour Lamp Life

T50 Specifications

60mA Secondary			
Watts	VA(2)	AMPS	Sec.V
292	540	4.5	9000
243	450	3.75	7500
162	300	2.5	5000
X	4.625"		
Y	17.625"		
Z	8.0"		



- (1) For 277V and HPF contact ACL.
 (2) Use VA for computing loads. Use Watts for computing power consumption.



- A. Transformer
- B. Lamp
- C. Intermediate Lampholder
- D. Feed Lampholder
- E. GTO-15 in Conduit
- F. Cove
- G. Upper Ceiling
- H. Lower Ceiling
- I. Lamp Support

DETAILS CATHODE T50

System Requirements

1. Secondary feeds must be equal in length and not exceed 20'
2. Only one single GTO-15 conductor for each conduit feed
3. Maximum length of lamp is 94"
4. Lamp lengths shall be standardized when ever possible
5. Transformer installed in accessible and vented area(s)
6. Sound rating approximately 33 decibels
7. Include detail(s) when possible

Single Row Closed Loop

Notes: For Double Back (DB) condition, see page 3.

Additional rows of lamps can be specified in whites or separate colors.



NTS

Project Name

Date

Linear Feet

SPECIFICATION CODE: Note: For a variation (custom) of this product contact ACL to request a variation number and information.

T50 (1)	S01					S
Product	Standard	Environment	Color (s)	Primary	Dim-able	Mount
Standard Output Cold Cathode System (Add DB for Double Back)	S01	DR - Dry DP - Damp WT - Wet (DB only)	See Chart (2)	120V 277V -Special Order	DI - Dim ND - Non Dim	S - Surface

(1) For a 1 lamp standard ballast system see B100. For a 2 lamp high output ballast system see B200.
 (2) For multiple selections place a comma after each selection.

A Fusion of the Art and Science of Light

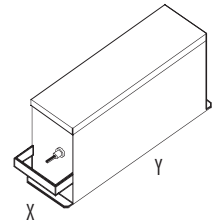
CATHODE T50 PRODUCT DETAILS:

T50 is a low material cost, energy efficient cold cathode lighting system. When comparing the data it out performs LED.

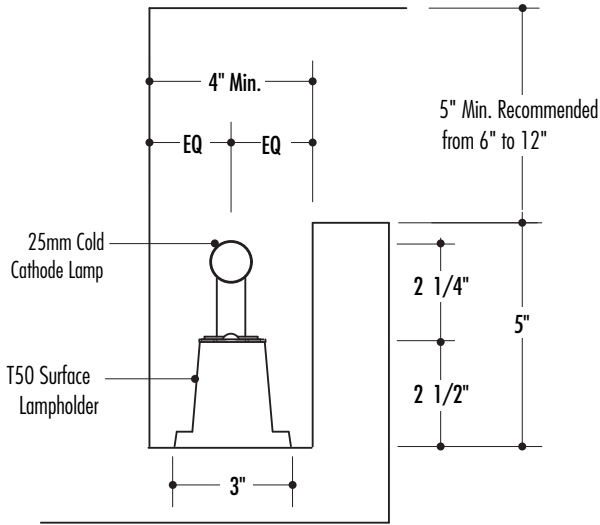
- 228 Lumens per foot (compared to 82 LED)
- 54.65 Lumens per watt (compared to 21.57 LED)
- Approx. 4 - 5 watts per foot
- Over 30 bright colors (compared to 8 LED)
- Full Range Dimming
- 50,000 Hour Lamp Life

T50 Specifications

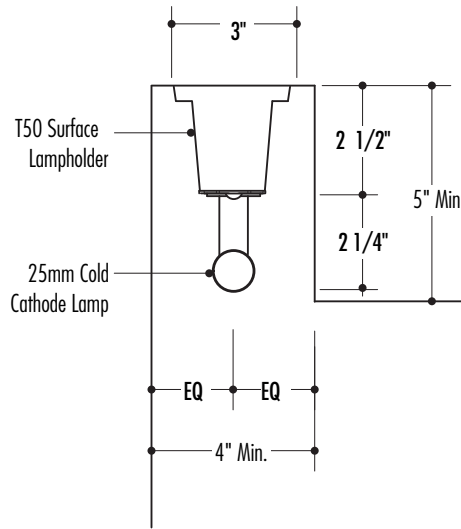
60mA Secondary			
Watts	VA(2)	AMPS	Sec.V
292	540	4.5	9000
243	450	3.75	7500
162	300	2.5	5000
<hr/>			
X	4.625"		
Y	17.625"		
Z	8.0"		



- (1) For 277V and HPF contact ACL.
 (2) Use VA for computing loads. Use Watts for computing power consumption.



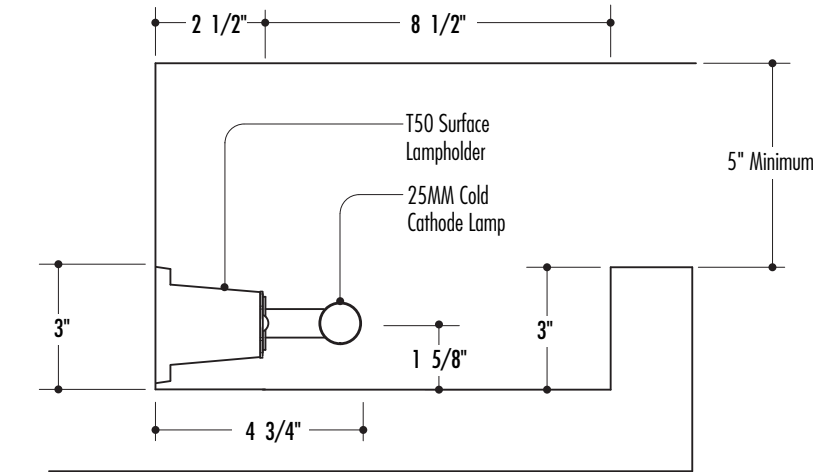
A Cove Section
Base Mounted Lampholder



B Pocket Section
Ceiling Mounted Lampholder

DETAILS CATHODE T50

8300 Cold White - CDT
6500 Daylight - DWT
5000TC Ice White - IWT
4500 Cool White - CLT
3500 Soft White - SWT
3000TC Warm White - WWT
2400 Incandescent - KWT
Candle White - CWT
Pineapple - PPL
Gold - GLD
Traffic Light Yellow - TLY
Orange - ORG
Ruby Red (Neon Only) - RRD
Coral Rose - CRS
Magenta - MGT
Violet - VLO
Powder Blue - PWB
Ocean Blue - OCB
Super Blue - SBL
Sky Blue - SKB
Super Turquoise - STB
Traffic Light Green - TLG
Staybright Green - SBG



C Cove Section
Wall Mounted Lampholder

Project Name

Date

Linear Feet

SPECIFICATION CODE: Note: For a variation (custom) of this product contact ACL to request a variation number and information.

T50 (1)	S01					S
Product	Standard	Environment	Color (s)	Primary	Dim-able	Mount
Standard Output Cold Cathode System 60mA	S01	DR - Dry DP - Damp WT - Wet (DB)	See Chart (2)	120V 277V -Special Order	DI - Dim ND - Non Dim	S - Surface

(1) For a 1 lamp standard ballast system see B100. For a 2 lamp high output ballast system see B200.
 (2) For multiple selections place a comma after each selection.

A Fusion of the Art and Science of Light

CATHODE T50 PRODUCT DETAILS:

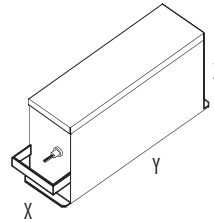
T50 is a low material cost, energy efficient cold cathode lighting system. When comparing the data it out performs LED.

- 228 Lumens per foot (compared to 82 LED)
- 54.65 Lumens per watt (compared to 21.57 LED)
- Approx. 4 - 5 watts per foot
- Over 30 bright colors (compared to 8 LED)
- Full Range Dimming
- 50,000 Hour Lamp Life

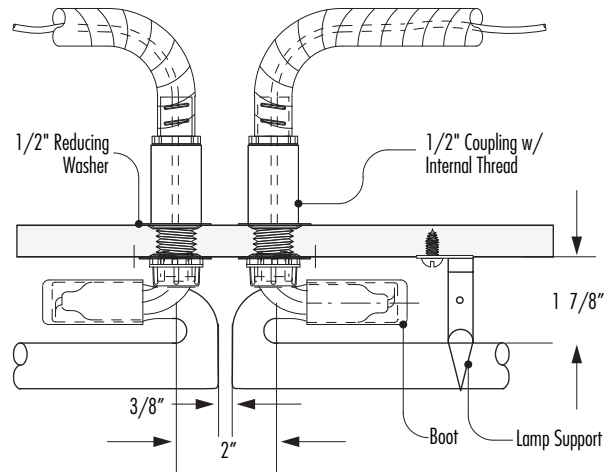
T50 Specifications

60mA Secondary			
Watts	VA(2)	AMPS	Sec.V
292	540	4.5	9000
243	450	3.75	7500
162	300	2.5	5000

X	4.625"
Y	17.625"
Z	8.0"

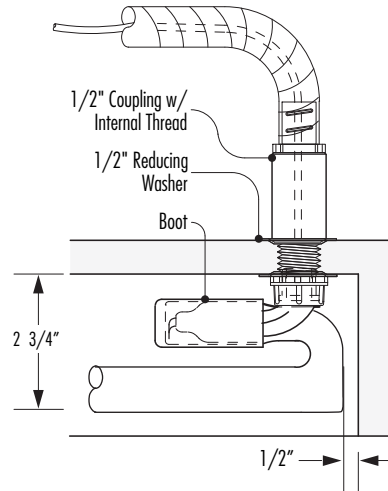


(1) For 277V and HPF contact ACL.
 (2) Use VA for computing loads. Use Watts for computing power consumption.



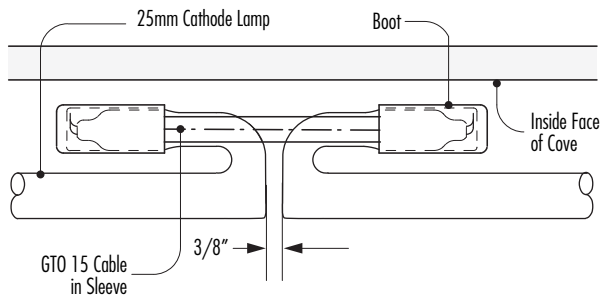
Double Feed Detail - Double Back (DB)

Plan NTS



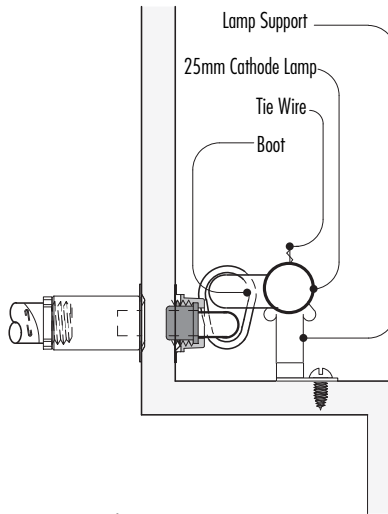
Double Feed Detail - DB

Elevation NTS



Intermediate Detail - DB

Plan NTS



Section Detail - DB

NTS

Project Name

Date

Linear Feet

SPECIFICATION CODE: Note: For a variation (custom) of this product contact ACL to request a variation number and information.

T50 DB(1)	-	S01	-	-	-	-	-	S	
Product	Standard	Environment	Color (s)	Primary	Dim-able	Mount			
Standard Output Cold Cathode System 60mA	S01	DR - Dry DP - Damp WT - Wet (DB)	See Chart (2)	120V 277V -Special Order	DI - Dim ND - Non Dim	S - Surface			
(1) For a 1 lamp standard ballast system see B100. For a 2 lamp high output ballast system see B200. (2) For multiple selections place a comma after each selection.									

DETAILS
CATHODE T50

8300 Cold White - CDT
6500 Daylight - DWT
5000TC Ice White - IWT
4500 Cool White - CLT
3500 Soft White - SWT
3000TC Warm White - WWT
2400 Incandescent - KWT
Candle White - CWT
Pineapple - PPL
Gold - GLD
Traffic Light Yellow - TLY
Orange - ORG
Ruby Red (Neon Only) - RRD
Coral Rose - CRS
Magenta - MGT
Violet - VLO
Powder Blue - PWB
Ocean Blue - OCB
Super Blue - SBL
Sky Blue - SKB
Super Turquoise - STB
Traffic Light Green - TLG
Staybright Green - SBG

ACL INC.

Architectural Cathode Lighting, Incorporated

cathodelighting.com

5301 Pacific Boulevard
 Huntington Park California 90255 USA
 Telephone 323.581.8800
 Fax 323.581.7971
 info@cathodelighting.com