

A Fusion of the Art and Science of Light

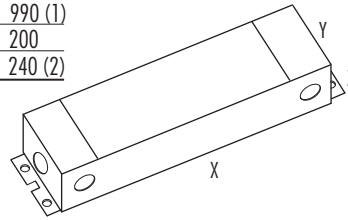
CATHODE B200 PRODUCT DETAILS:

output: High
 date: August 21, 2008
 sheet description: Remote Gang Enclosure
 file: B2details.pdf
 page: 1

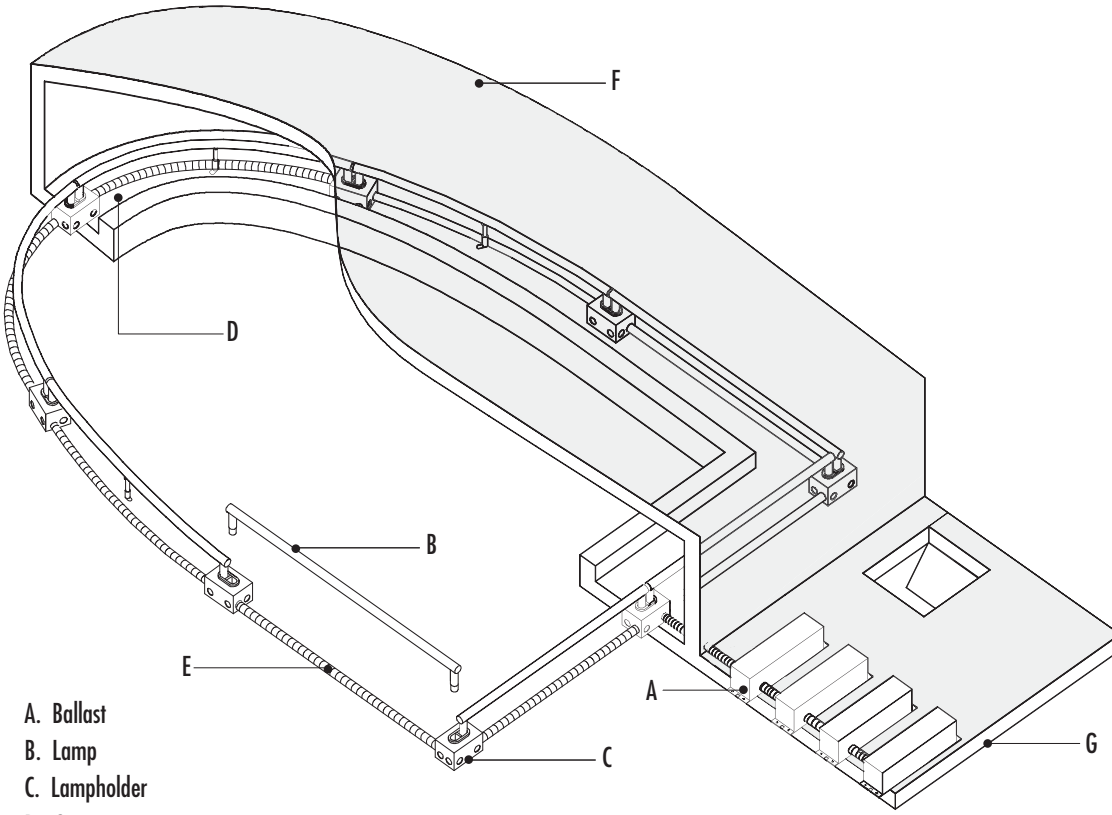
B200 Ballast Specifications

Double Lamp Ballast
 PRI V 120 SEC V 990 (1)
 PRI A 3.7 SEC mA 200
 VA 450 Watts 240 (2)

X 17.6"
 Y 3.776"
 Z 3.447"



(1) For 277V contact ACL.
 (2) Use VA for computing loads. Use Watts for computing power consumption.



- A. Ballast
- B. Lamp
- C. Lampholder
- D. Cove
- E. Conduit
- F. Upper Ceiling
- G. Lower Ceiling

Remote Gang Enclosure

NTS

DETAILS
 CATHODE B200



© 2010 Architectural Cathode Lighting, Inc.

Project Name	Date	Linear Feet
SPECIFICATION CODE: Note: For a variation (custom) of this product contact ACL to request a variation number and information.		

Product	Standard	Environment	Color (s)	Primary	Dim-able	Mount
High Output Double Ballast Cold Cathode	S01	DR - Dry DP - Damp	See Chart (2)	120V 277V-Special Order	DI - Dim ND - Non Dim	S - Surface R - Recess

(1) For a 7 lamp transformer system refer to our T100 system. For a single lamp standard output ballast system refer to our B100 system.
 (2) For multiple selections place a comma after each selection.

ACL INC.
 Architectural Cathode Lighting, Incorporated
cathodelighting.com
 5301 Pacific Boulevard
 Huntington Park California 90255 USA
 Telephone 323.581.8800
 Fax 323.581.7971
 info@cathodelighting.com

A Fusion of the Art and Science of Light

CATHODE B200 PRODUCT DETAILS:

output: High

date: August 21, 2008

sheet description: Separated Remote Single Enclosure

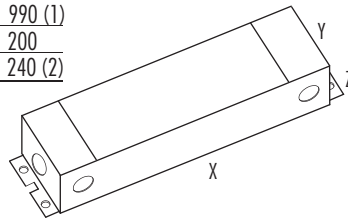
file: B2details.pdf

page: 2

B200 Ballast Specifications

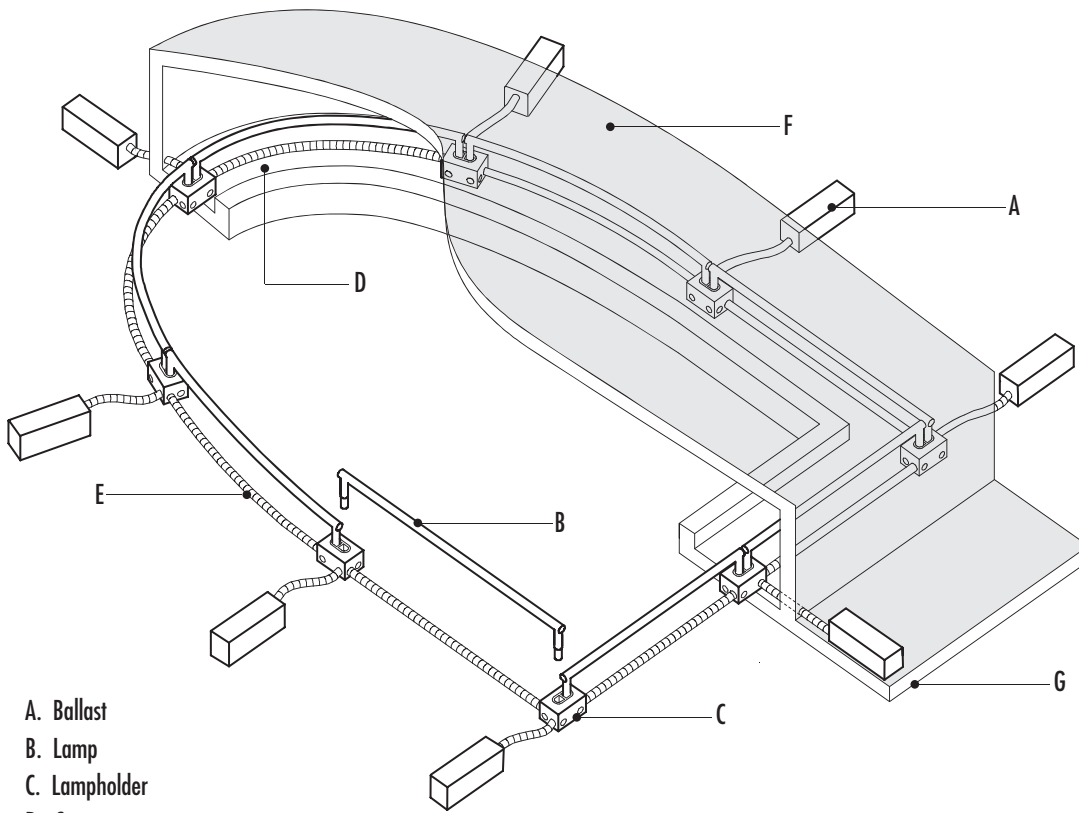
Double Lamp Ballast	
PRI V 120	SEC V 990 (1)
PRI A 3.7	SEC mA 200
VA 450	Watts 240 (2)

X	17.6"
Y	3.776"
Z	3.447"



(1) For 277V contact ACL.

(2) Use VA for computing loads. Use Watts for computing power consumption.



- A. Ballast
- B. Lamp
- C. Lampholder
- D. Cove
- E. Conduit
- F. Upper Ceiling
- G. Lower Ceiling

Separated Remote Single Enclosure

NTS

DETAILS CATHODE B200



© 2010 Architectural Cathode Lighting, Inc.

Project Name _____ Date _____ Linear Feet _____

SPECIFICATION CODE: Note: For a variation (custom) of this product contact ACL to request a variation number and information.

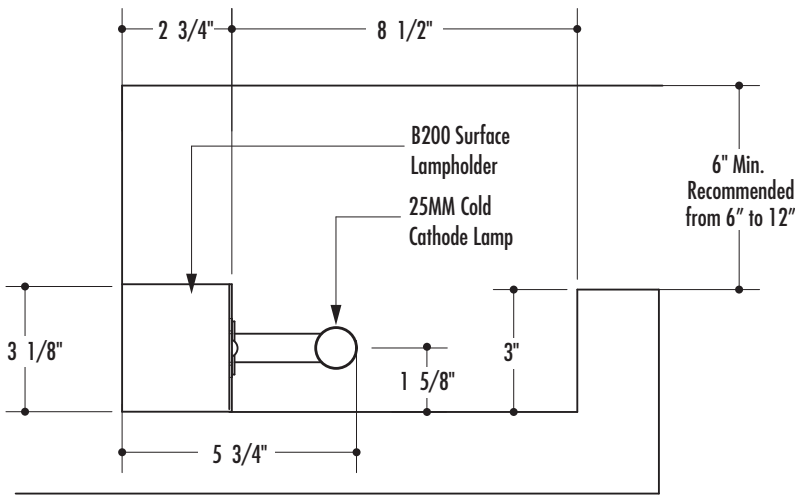
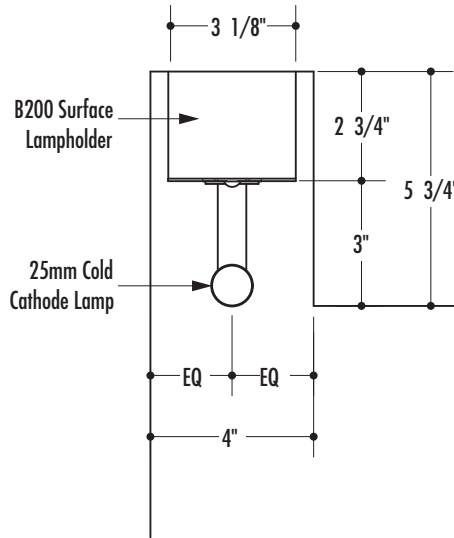
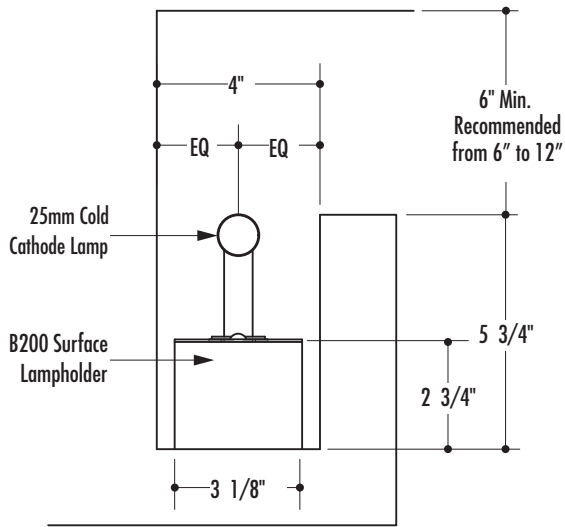
B200(1)	-	S01	-	-	-	-	-
Product	Standard	Environment	Color (s)	Primary	Dim-able	Mount	
High Output Double Ballast Cold Cathode	S01	DR - Dry DP - Damp	See Chart (2)	120V 277V -Special Order	DI - Dim ND - Non Dim	S - Surface R - Recess	

(1) For a 7 lamp transformer system refer to our T100 system. For a single lamp standard output ballast system refer to our B100 system.
 (2) For multiple selections place a comma after each selection.

ACL INC.
 Architectural Cathode Lighting, Incorporated
cathodelighting.com
 5301 Pacific Boulevard
 Huntington Park California 90255 USA
 Telephone 323.581.8800
 Fax 323.581.7971
 info@cathodelighting.com

CATHODE B200 PRODUCT DETAILS:

output: High
 date: August 21, 2008
 sheet description: Surface Details
 file: B2details.pdf
 page: 3



© 2010 Architectural Cathode Lighting, Inc.

DETAILS
 CATHODE B200



Project Name _____ Date _____ Linear Feet _____

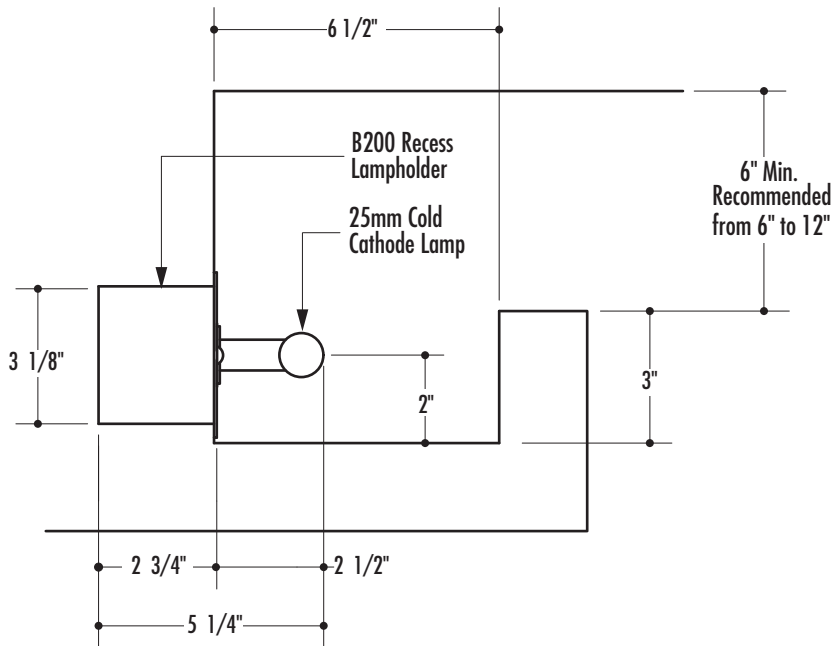
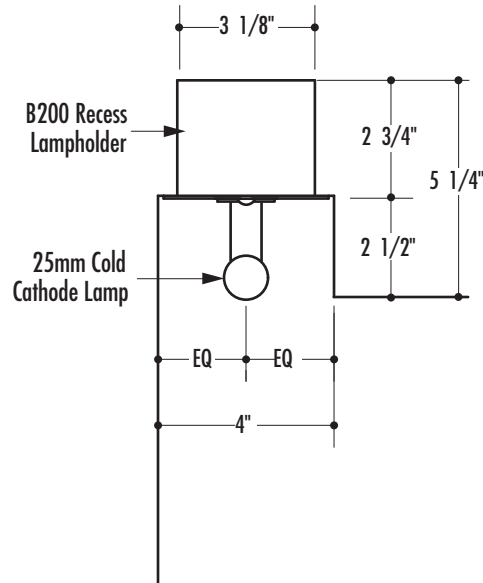
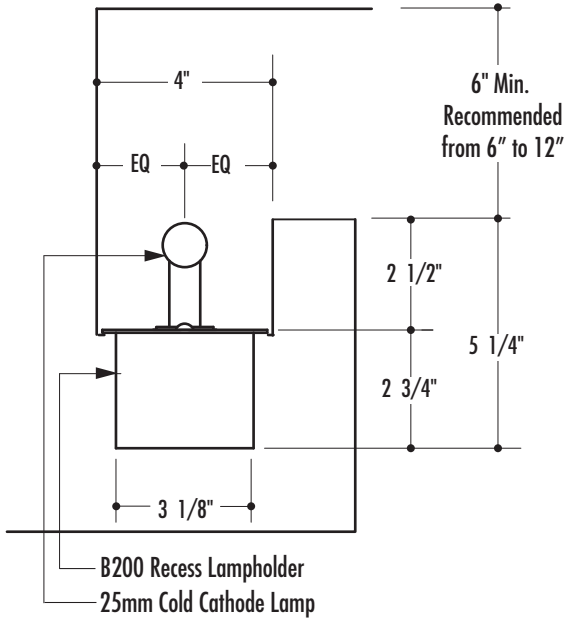
SPECIFICATION CODE: Note: For a variation (custom) of this product contact ACL to request a variation number and information.

B200 (1)	-	S01	-	-	-	-	-	S
Product	Standard	Environment	Color (s)	Primary	Dim-able	Mount		
High Output Double Ballast Cold Cathode	S01	DR - Dry DP - Damp	See Chart (2)	120V 277V -Special Order	DL - Dim ND - Non Dim	S - Surface R - Recess		
(1) For a 7 lamp transformer system refer to our T100 system. For a single lamp standard output ballast system refer to our B100 system. (2) For multiple selections place a comma after each selection.								

ACL INC.
 Architectural Cathode Lighting, Incorporated
cathodelighting.com
 5301 Pacific Boulevard
 Huntington Park California 90255 USA
 Telephone 323.581.8800
 Fax 323.581.7971
 info@cathodelighting.com

CATHODE B200 PRODUCT DETAILS:

output: High
 date: January 11, 2010
 sheet description: Recess Details
 file: B2details.pdf
 page: 4



© 2010 Architectural Cathode Lighting, Inc.

DETAILS
 CATHODE B200



Project Name _____ Date _____ Linear Feet _____

SPECIFICATION CODE: Note: For a variation (custom) of this product contact ACL to request a variation number and information.

B200(1)	-	S01	-	-	-	-	-	R
Product	Standard	Environment	Color(s)	Primary	Dim-able	Mount		
High Output Double Ballast Cold Cathode	S01	DR - Dry DP - Damp	See Chart (2)	120V 277V -Special Order	DI - Dim ND - Non Dim	S - Surface R - Recess		

(1) For a 7 lamp transformer system refer to our T100 system. For a single lamp standard output ballast system refer to our B100 system.
 (2) For multiple selections place a comma after each selection.

ACL INC.
 Architectural Cathode Lighting, Incorporated
cathodelighting.com
 5301 Pacific Boulevard
 Huntington Park California 90255 USA
 Telephone 323.581.8800
 Fax 323.581.7971
 info@cathodelighting.com