

A Fusion of the Art and Science of Light

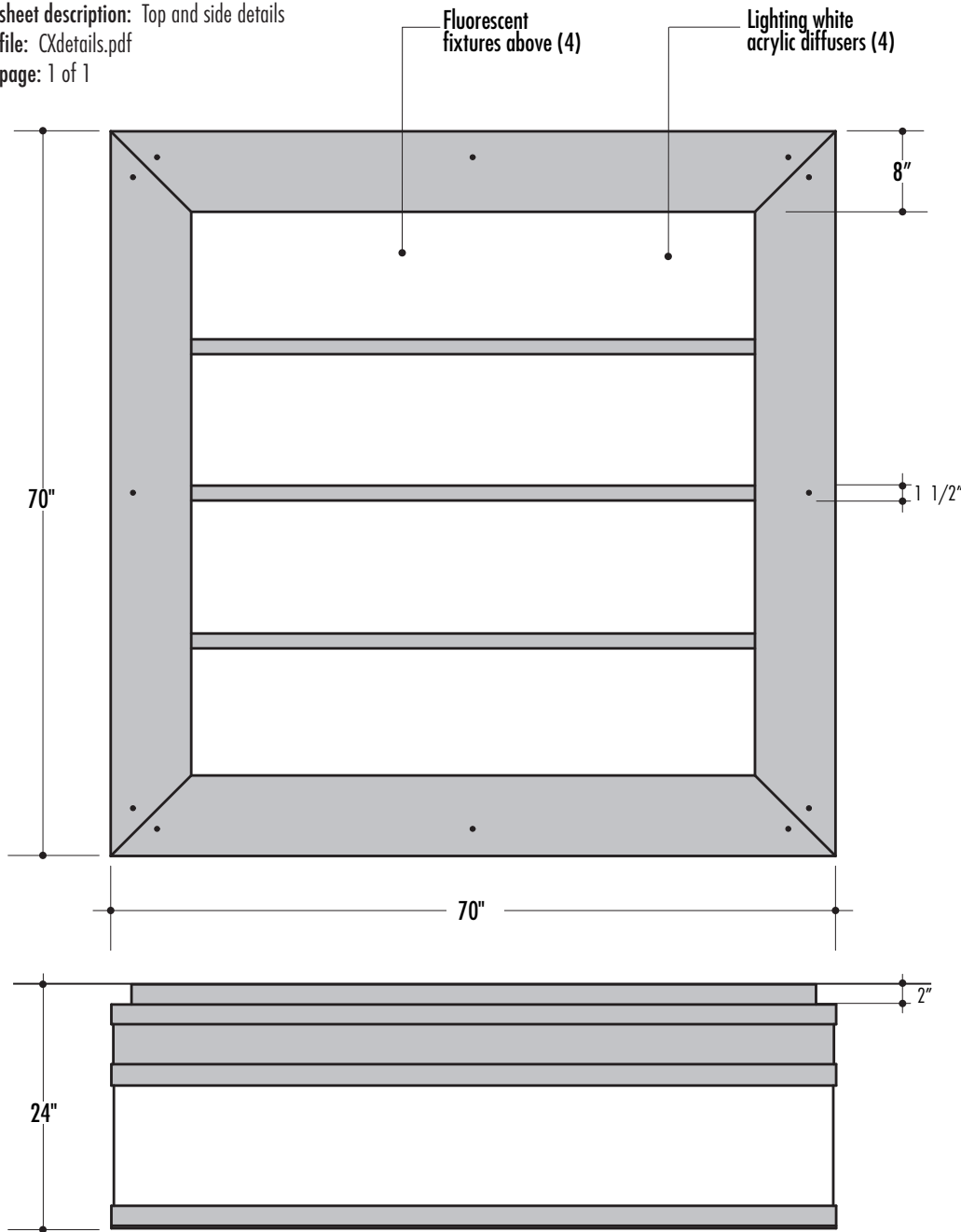
CUBX PRODUCT DETAILS:

date: November 3, 2008

sheet description: Top and side details

file: CXdetails.pdf

page: 1 of 1



DETAILS

CUBX

8300 Cold White - CDT
6500 Daylight - DWT
5000TC Ice White - IWT
4500 Cool White - CLT
3500 Soft White - SWT
3000TC Warm White - WWT
2400 Incandescent - KWT
Candle White - CWT
Pineapple - PPL
Gold - GLD
Traffic Light Yellow - TLY
Orange - ORG
Ruby Red (Neon Only) - RRD
Coral Rose - CRS
Magenta - MGT
Violet - VLO
Powder Blue - PWB
Ocean Blue - OCB
Super Blue - SBL
Sky Blue - SKB
Super Turquoise - STB
Traffic Light Green - TLG
Staybright Green - SBG

© 2008 Architectural Cathode Lighting, Inc.

Project Name	Date	Quantity
--------------	------	----------

SPECIFICATION CODE: Note: For a variation (custom) of this product contact ACL to request a variation number and information.

CX	S01						TWP
Product	Standard	Environment	Color	Finish	Primary	Dim-able	Lens
CX - Cubx	S01	DR - Dry DP - Damp WT - Wet	See Chart (1)	CAA (2) BAA (2) ZAA (2) GAA (2)	120V 1A 277V (3)	DI - Dim ND - Non Dim	TWP (Translucent White Panel)

(1) For multiple selections place a comma after each selection.
 (2) Anodized Aluminum in these options: CAA - Clear, BAA - Brown, ZAA - Bronze or GAA - Gold.
 (3) Special order available in 277V, contact ACL for more information.

ACL INC.
 Architectural Cathode Lighting, Incorporated
cathodelighting.com
 5301 Pacific Boulevard
 Huntington Park California 90255 USA
 Telephone 323.581.8800
 Fax 323.581.7971
 info@cathodelighting.com